



You only live once.



Broadblue Voyager385

Expect excellence.

Our best selling model, the Broadblue Voyager385 is in active service worldwide. The new series of this renowned catamaran, provides an unbeatable combination of space, style and superb build quality, and incorporates the feedback from owners after thousands of sea miles.

One World. One Life. One Cat.

www.broadblue.co.uk



The Broadblue Voyager385 is our most popular model for long distance cruising and combines ease of handling with robust construction, modern hull form, quality craftsmanship and elegant joinery.

The Voyager385 is designed for single or short-handed sailing and achieves this by combining a smaller mainsail and larger headsails with all lines led aft to the cockpit. All sail handling can be done without needing to venture away from the cockpit. The Voyager385 is built to the highest level of the European Recreational Craft Directive: Category A (Ocean) and is built using the highest standard of materials.

TECHNICAL SPECIFICATION

Engines :	2 x 30hp diesel with Saildrives	
Rig :	Fractional sloop, aft stepped mast & bow sprit	
Layout :	Three double cabins and two heads with shower	
RCD Ctegrory :	Category A (Ocean)	
Interior :	Hand built quality furniture & fittings in natural Oak. Teak & Holly laminate flooring throughout.	

LOA	11.78m	38' 8"
BOA	5.98m	19' 7"
Displacement (light)	7000kg	15432lbs
Draft	1.05m	3' 5"
Air Draft	18.6m	61'
Fuel	2 x 235ltrs	104gal
Water	475ltrs	104gal
Mainsail (Std)	28.19 sq.m	304 sq.ft
Genoa (Std)	49.56 sq.m	534 sq.ft

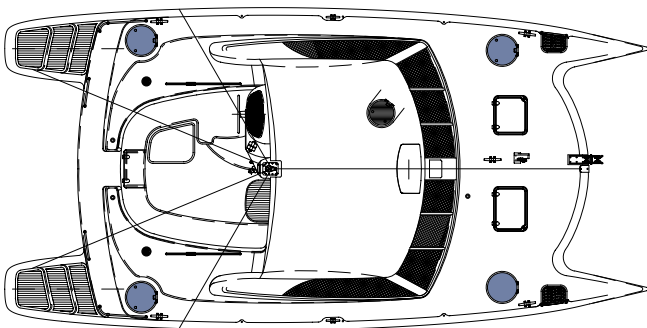
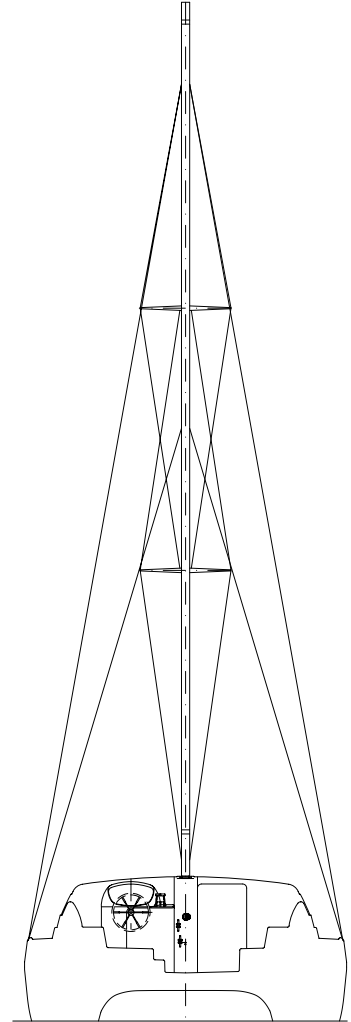
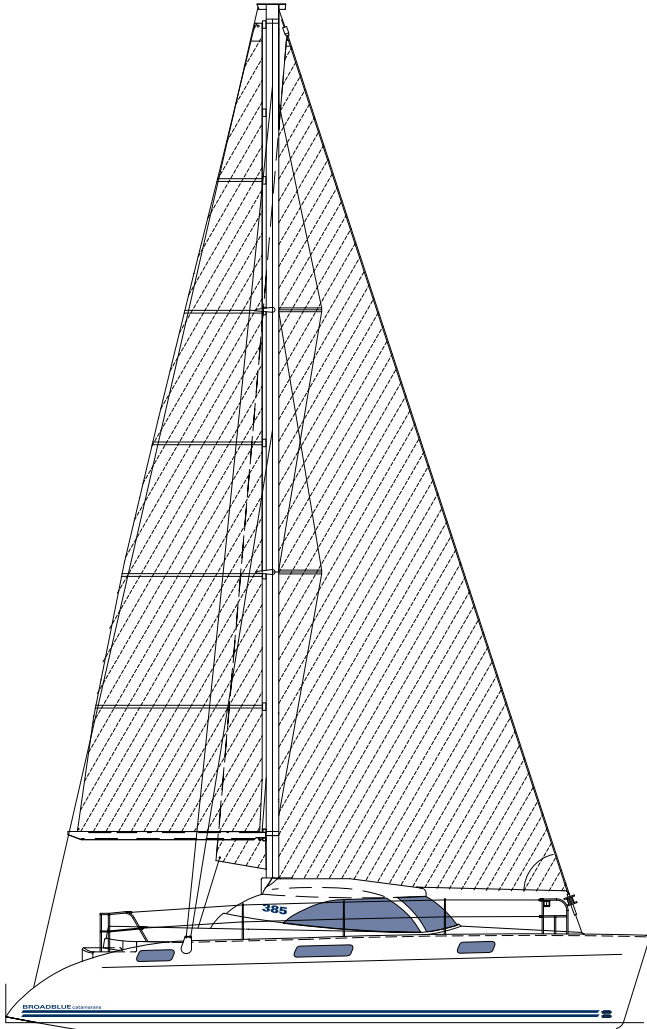


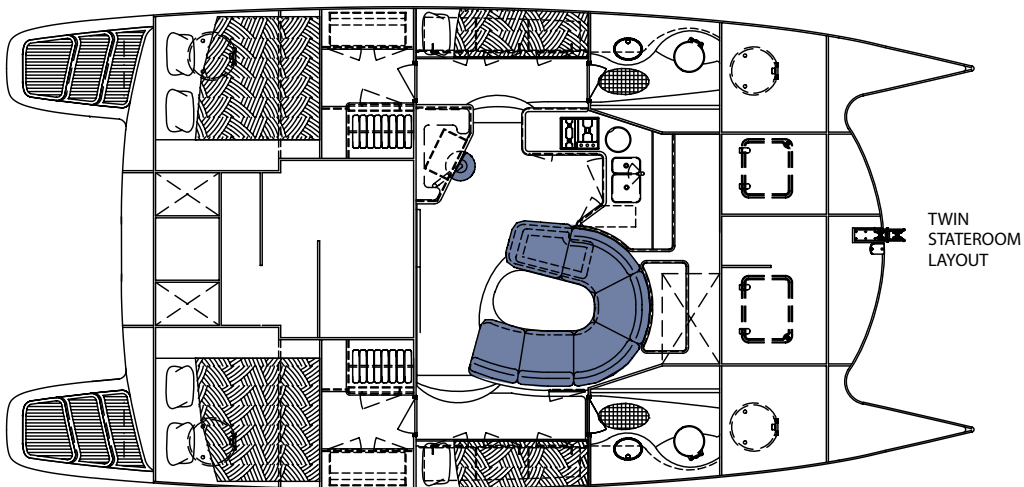
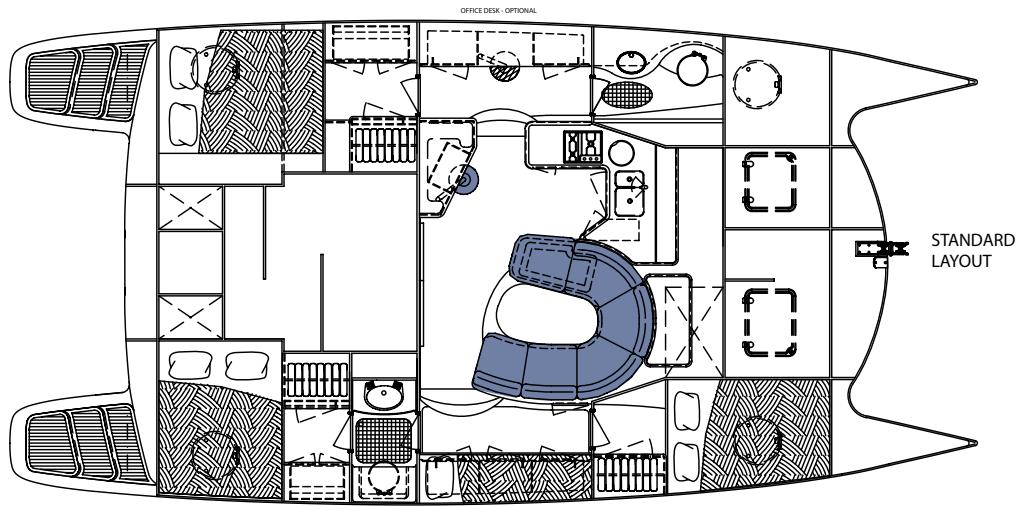
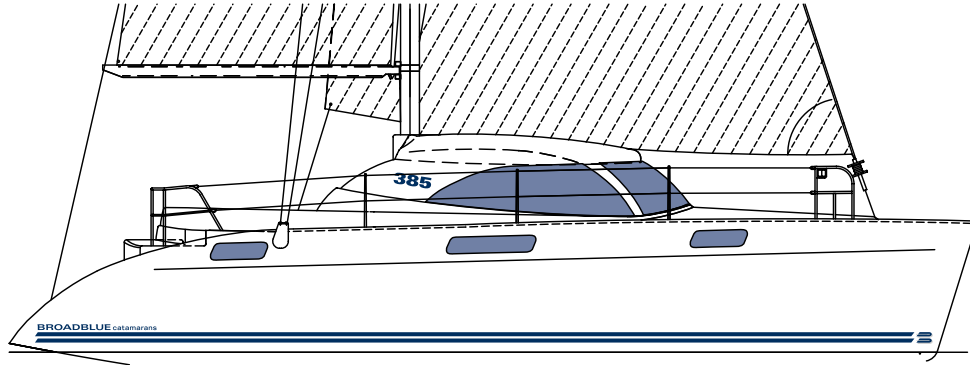
There is only one way to really judge a boat. And that is to see it, touch it, explore it, sail it.

Visit our website to register your interest in our FREE demo sailing

www.broadblue.co.uk

or call Mark Elliot on
+44 (0)7412 600364





Please note that interior layouts shown may change or be superseded according to Broadblue or Owner specifications.